

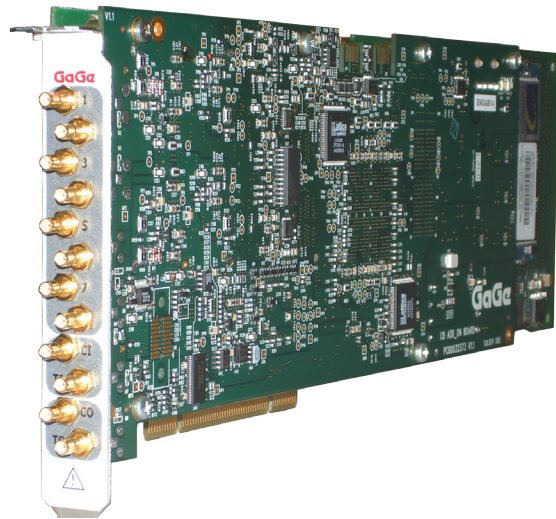
The GaGe Octopus™ family of multi-channel digitizers features up to 8 channels in a single-slot PCI Express or PCI card with up to 25 MS/s sampling per channel, and up to 32 GB of on-board acquisition memory. Combine several Octopus cards for up to 64 channels in a single system.

APPLICATIONS

Radar Design and Test
Disk Drive Testing
Manufacturing Test
Signal Intelligence
Lidar Systems
Communications
Non-Destructive Testing
Spectroscopy
High-Performance Imaging
Ultrasound Test

Octopus CompuScope 84XX

16-Bit Family of Multi-channel Digitizers for the PCI Express and PCI Bus

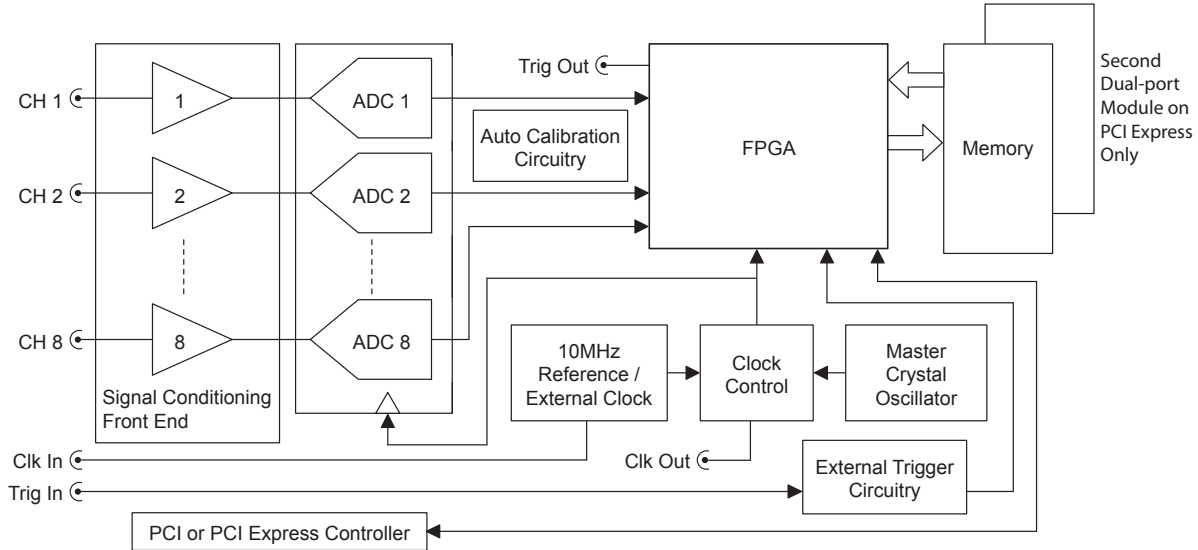


The Octopus CS84XX family provides 16-bit performance and high channel density on the PCI Express or PCI platform.

FEATURES

- 2, 4, or 8 digitizing channels
- 10 or 25 MS/s sampling per channel
- 16 bits vertical resolution
- 128 MS to 16 GS on-board acquisition memory
- More than 20 MHz bandwidth
- Full-size, single-slot PCI Express or PCI card
- Full-featured front-end, with software control over input ranges, coupling and impedances
- Dual-port memory and data streaming at up to 3.1 GB/s on PCI Express models
- 32 bits, 66 MHz PCI for 200 MB/s transfer to PC memory
- Ease of integration with External or Reference Clock In and Clock Out, External Trigger In and Trigger Event Out
- Programming-free operation with GageScope® oscilloscope software
- Software Development Kits available for LabVIEW, MATLAB, C/C#
- Custom FPGA firmware available

Octopus CompuScope 84XX Simplified Block Diagram



A/D SAMPLING

Number of Inputs:	2, 4 or 8
Resolution:	16 bits
ENOB (see Note 1):	12.0 bits
SNR (see Note 1):	74 dB
SFDR (see Note 1):	85 dB
SINAD (see Note 1):	73.5 dB
Maximum Sampling Rate Per Channel (product-dependent):	10, 25 MS/s
Sampling Rates (product-dependent):	25 MS/s, 20 MS/s, 12.5 MS/s, 10 MS/s, 5 MS/s, 2.5 MS/s, 2 MS/s, 1 MS/s, 500 kS/s, 200 kS/s, 100 kS/s, 50 kS/s, 20 kS/s, 10 kS/s, 5 kS/s, 2 kS/s, 1 kS/s
Connector:	SMB
Impedance:	1 M Ω or 50 Ω ; (software-selectable)
Coupling:	AC or DC; (software-selectable)
AC Coupled Bandwidth:	10 Hz to >20 MHz (see Note 2)
DC Coupled Bandwidth:	DC to >20 MHz (50 Ω see Note 5, slightly less for 1 M Ω)
Flatness (see Note 3):	Within ± 0.5 dB of ideal response to 7 MHz
DC Accuracy (see Note 4):	± 0.5 %
Input Voltage Ranges:	± 100 mV, ± 200 mV, ± 500 mV, ± 1 V, ± 2 V, ± 5 V, ± 10 V (± 10 V is only available in 1 M Ω)
DC Offset	± 1 xFull Range (above ± 5 V is limited to ± 2.5 V)

ACQUISITION MEMORY

Octopus Model	Available memory options				
CS84XX (PCI)	128 MS	256 MS	512 MS	1 GS	2 GS
CSE84XX (PCI Express)	1 GS	2 GS	4 GS	8 GS	16 GS

Note: All memory sizes are expressed in Samples, not Bytes

Note: Memory may be shared among 1, 2, 4, or 8 channels

Octopus Model	Memory Architecture	Data Streaming?
CS84XX (PCI)	Single Port	No
CSE84XX (PCI Express)	Dual Port	Yes

TRIGGERING

Trigger Engines:	2 per channel, 1 for external trigger
Source:	CH 1 to 8, EXT or Software
Input Combination:	All combinations of sources logically OR'ed
Trigger Level Accuracy:	Less than $\pm 2\%$ of Full Scale for channel triggering
Slope:	Positive or Negative; software-selectable
Sensitivity:	$\pm 2\%$ of Full Scale This implies that signal amplitude must be at least 4% of full scale to cause a trigger to occur. Smaller signals are rejected as noise.
Post-Trigger Data:	128 points minimum. Can be defined with a 64 point resolution.
Maximum Record Length:	Maximum memory depth

EXTERNAL TRIGGER

Impedance:	2 k Ω
Amplitude:	Absolute maximum ± 15 V
Voltage Range:	± 1 V, ± 5 V (software-selectable)

Bandwidth: >100 MHz
Coupling: AC or DC
Connector: SMB

TRIGGER OUT

Impedance: 50 Ω compatible
Amplitude: 0-2.5 V
Connector: SMB

INTERNAL CLOCK

Accuracy: ± 1 ppm (0 to 50°C ambient)

EXTERNAL REFERENCE

The External Reference timebase is used to synchronize the Internal Sampling Clock

Frequency: 10 MHz ± 1000 ppm; (software-selectable)
Signal Level: Minimum 1 V RMS
Maximum 2 V RMS
Impedance: 50 Ω
Sampling Edge: Rising
Duty Cycle: 50% $\pm 5\%$
Connector: SMB

CLOCK OUT

Maximum Frequency: Maximum product sample rate
Minimum Frequency: 2 MHz (from External Clock)
1 kHz (from Internal Clock)
Signal Level: 0-2.5 V
Impedance: 50 Ω compatible
Duty Cycle: 50% $\pm 10\%$
Connector: SMB

MULTIPLE RECORD

Pre-trigger Data: Up to virtually full record length
Record Length: 128 points minimum.
Can be defined with a 64 points resolution.

TIMESTAMPING

Resolution: One sampling interval
Counter turnover: >24 hours continuous

CARD SIZE

Single-slot, full-length PCI or PCI Express (8 or 16 Lane)

†POWER (IN WATTS, PER CARD)

25.0 W (typical)

†Measured on a typical 4-channel Octopus card.

SYSTEM REQUIREMENTS

PC computer, minimum Pentium II 500 MHz, with at least one free full-length PCI or PCI Express (8 or 16 Lane) slot, 128 MB RAM, 200 MB of free hard disk space.

BUS INTERFACE

	CS84XX (PCI)	CSE84XX (PCI Express)
Plug-&-Play	Fully supported	Fully supported
Bus Mastering	Fully supported	Fully supported
Scatter-Gather:	Fully supported	Fully supported
Bus Width:	32-bits	8 Lanes
Bus Speed:	66 MHz or 33 MHz	40 Gb (Gen2) or 20 Gb (Gen1)
Bus Throughput:	200 MB/s to PC memory (66 MHz PCI; dependent on motherboard and configuration)	3.1 GB/s (Gen2) or 1.6 GB/s (Gen1)
Compatibility:	PCI-compliant, v.2.2. Also v.2.1 systems that supply 3.3 V to PCI slot	PCI Express 2.0 compliant (Also 1.1 at 20 Gb)

MULTI-CARD SYSTEMS

Operating Mode: Master/Slave (PCIe Only) or multiple independent Number of Cards:

Master/Slave (PCIe Only): 2 to 8 cards

Multiple/Independent: Limited only by backplane and power supply

OPERATING SYSTEMS

Windows Vista, XP: All Versions
Windows 2000: SP1 or higher

APPLICATION SOFTWARE

GageScope: Windows-based software for programming-free operation
LITE Edition: Included with purchase, provides basic functionality
Standard Edition: Provides limited functionality of advanced analysis tools, except for Extended Math
Professional Edition: Provides full functionality of all advanced analysis tools

SOFTWARE DEVELOPMENT KITS (SDK)

CompuScope SDK for C/C# for Windows*
CompuScope SDK for MATLAB for Windows
CompuScope SDK for LabVIEW for Windows

*C/C# SDK is compatible with LabWindows/CVI 7.0+ compiler. Visual Basic.NET support available with purchase of C/C# SDK.

Contact your GaGe Sales Agent for information on Linux support.

WARRANTY

One year parts and labor
Certificate of NIST Traceable Calibration is included.

All specifications subject to change without notice.



ORDERING INFORMATION

Hardware & Upgrades

Octopus 16-bit Family	PCI CompuScopes			PCI Express CompuScopes	
	2 Channel	4 Channel	8 Channel	8 Channel	
10 MS/s	CS8420: OCT-842-000	CS8440: OCT-844-000	CS8480: OCT-848-000	CSE8480: OCE-848-000	
25 MS/s	CS8422: OCT-842-002	CS8442: OCT-844-002	CS8482: OCT-848-002	CSE8482: OCE-848-002	
	Memory Upgrade: 128 MS to 256 MS		OCT-181-001	Memory Upgrade: 1 GS to 2 GS	MEM-181-001
	Memory Upgrade: 128 MS to 512 MS		OCT-181-003	Memory Upgrade: 1 GS to 4 GS	MEM-181-003
	Memory Upgrade: 128 MS to 1 GS		OCT-181-005	Memory Upgrade: 1 GS to 8 GS	MEM-181-005
	Memory Upgrade: 128 MS to 2 GS		OCT-181-007	Memory Upgrade: 1 GS to 16 GS	MEM-181-007
				Master Multi-Card Upgrade (PCIe Only)	OCT-181-012
				Slave Multi-Card Upgrade (PCIe Only)	OCT-181-013

Cables

36" SMB to BNC male cable	ACC-001-001
36" SMB to BNC male cable - 4 pack	ACC-001-003
6" SMB to BNC female cable	ACC-001-011
6" SMB to BNC female cable - 4 pack	ACC-001-013
6" SMB to SMB jumper cable	ACC-001-021
6" SMB to SMB jumper cable - 4 pack	ACC-001-023

eXpert™ Firmware Options

eXpert Signal Averaging Firmware Option	250-181-001
eXpert FIR Filtering Firmware Option	250-181-002
eXpert Peak Detection Firmware Option	250-181-003
eXpert FFT Firmware Option	250-181-004
eXpert Firmware Option bundle (Signal Averaging, FIR Filtering and Peak Detection)	888-100-026

GageScope® Software

GageScope: Lite Edition	Included
GageScope: Standard Edition (with Purchase of CompuScope Hardware)	300-100-351
GageScope: Professional Edition (with Purchase of CompuScope Hardware)	300-100-354

Software Development Kits (SDKs)

GaGe SDK Pack on CD	200-113-000
CompuScope SDK for C/C#	200-200-101
CompuScope SDK for MATLAB	200-200-102
CompuScope SDK for LabVIEW	200-200-103
eXpert Data Streaming (PCI Express Only)	STR-181-000

Notes to specifications:

- 1) Measured at 25 MS/s in the ± 500 mV range with 50 Ω input impedance using a 10 MHz sine wave with an amplitude of 95% of full scale and the on-board filtering capability.
- 2) 10 Hz at 1 M Ω only.
- 3) Measured at 25 MS/s in the ± 500 mV range with 50 Ω input impedance with an amplitude of 95% of full scale.
- 4) Measured on ± 500 mV, ± 1 V, ± 2 V input ranges for both 50 Ω and 1 M Ω input impedance settings.
- 5) Measured on ± 1 V, ± 2 V, ± 5 V input ranges using the 50 Ω input impedance setting.

Unless otherwise specified, all dynamic performance specs have been qualified on engineering boards.

Updated March 4, 2013

Copyright © 2013 Gage Applied Technologies. All rights reserved.

900 N. State St.
Lockport, IL 60441-2200

Toll-Free (US and Canada):

phone 1-800-567-4243
fax 1-800-780-8411

Direct:

phone +1-514-633-7447
fax +1-514-633-0770

Email:

prodinfo@gage-applied.com

To find your local sales representative or distributor or to learn more about GaGe products visit:

www.gage-applied.com